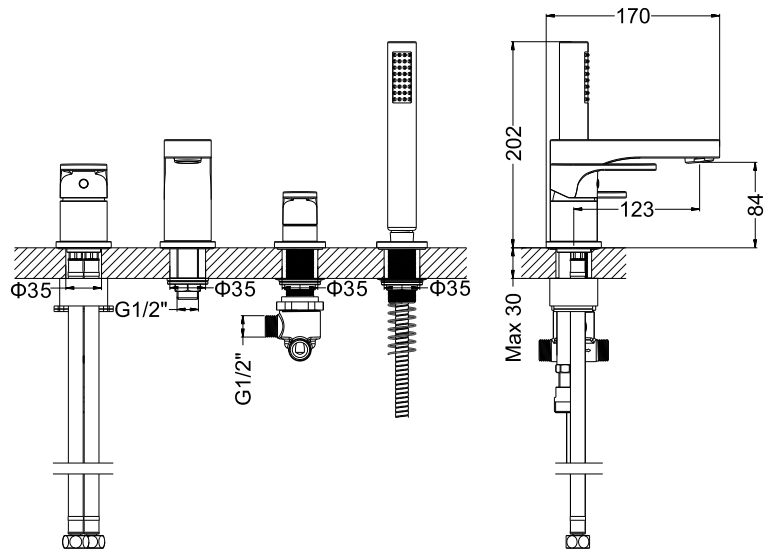
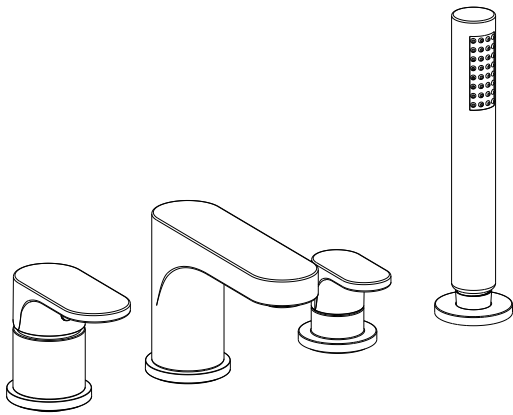


Specification Sheet

Bath Shower Mixer 4 Hole With Kit



Product Specification

Product Code:	MBST440D
Finish:	Chrome plated
Construction:	Bodies of tap are solid brass castings and the handles are zinc cast
Valve Type:	35mm single lever ceramic disc cartridge
Supply:	Suitable for high pressure systems
Inlet Connection:	G1/2" female tail
Water Pressure:	Range from a minimum pressure of 2bar to a maximum pressure of 5bar
Net Weight:	3.47Kg

Technical Advice: For further information, please email technical@adora-bathrooms.co.uk or visit www.adora-bathrooms.co.uk

Guarantee: The product carries a 5 year guarantee, **excluding** the ceramic (head/cartridge) which is covered by a 12 month guarantee

Flow Rates(litres per minute)

System pressure	0.2bar	0.5bar	1bar	2bar	3bar
MBST440D	5.5	7.5	11.8	16.5	20.5

We reserve the right to make technical modifications without prior notice